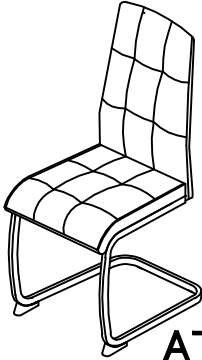
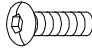


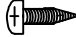


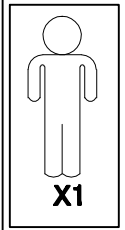

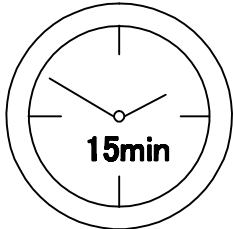


| | | | |
|--|--|---|--|
|  <p>ATEK F2821</p> | <p>A.(M6*12)x4</p>  | <p>B.(M6*18)x4</p>  | <p>C.ø18*ø6.5x4</p>  |
| | <p>D. (M4*20)x4</p>  | <p>E.63*20*24/7x2</p>  | <p>F. (M4)x1</p>  |

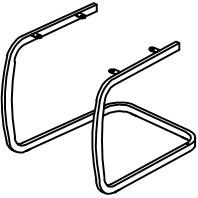


X1

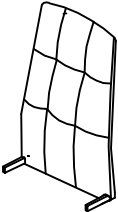




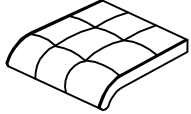
15min



①x1

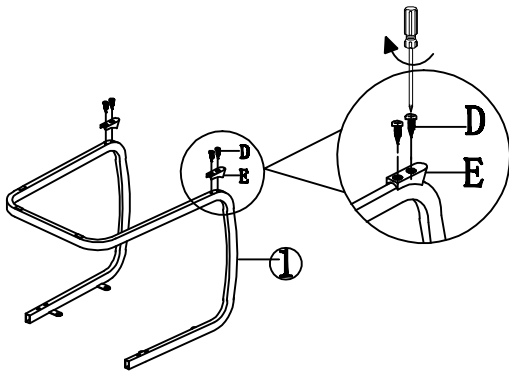


②x1

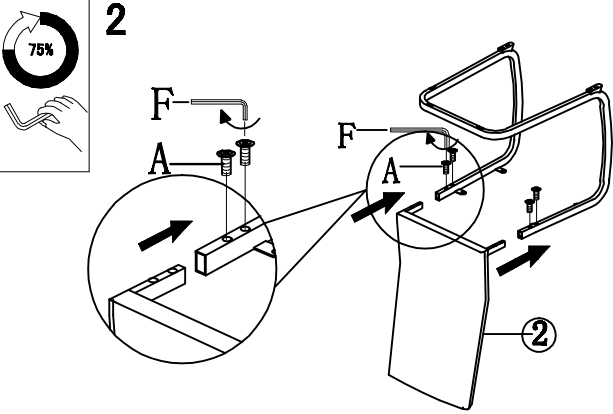


③x1

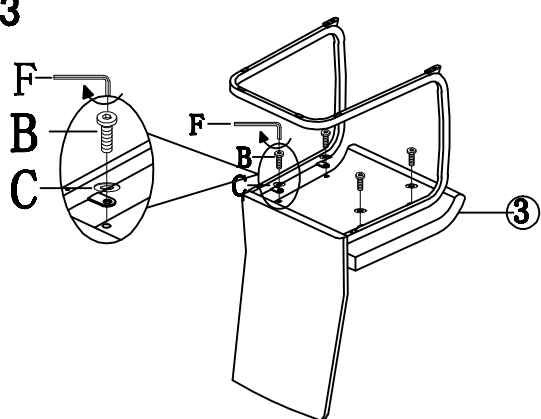
1



2



3



4

